

INSBO5IRCF

5MP HD over Coax Fixed Bullet

- 2.7 mm Fixed lens; Max 25 fps at 5MP (16:9 video output)
- CVI / CVBS / AHD / TVI switchable
- Max. IR length 40m, Smart IR / Warm light length: 40 m
- 120 dB true WDR, 3D NR; Smart Dual Light
- Built-in Microphone
- IP67, DC12V

Unify your Security Solution

The HD over Coax technology can support up to 4 signals transmitted over coaxial cable. With the dual-way data transmission the HD over Coax camera can interact with the STORM DVR by alarm triggers or control signals.

Long Distance Transmission

Long-distance and real-time transmission without any loss. It supports up to 700m for 1080P Full HD video via coaxial cable, and up to 300m via UTP cable.

Smart IR

The camera is designed with IR LED illumination for best lowlight performance. Smart IR is a technology to ensure brightness uniformity in B/W image under low illumination.

HD over Coax



*Design and specifications are subjects to change without notice.



INSB05IRCF

5MP HD over Coax Fixed Bullet

Product Specifications

Camera					
Image Sensor	1/2.7" 5 Megapixel progressive CMOS				
Effective Pixels	2880 (H) × 1620 (V)				
Scanning System	Progressive				
Electronic Shutter Speed	PAL: 1/3 s–1/100000 s NTSC: 1/4 s–1/100000 s				
Minimum Illumination	0.001 Lux/F1.0/Color, 30IRE; 0 Lux illumination on				
S/N Ratio	More than 65 dB				
Illumination Distance	IR up to 40 m (131.23 ft) / Warm light up to 40 m (131.23 ft)				
Illumination LEDs	2 (IR light) / 2 (Warm light)				
Camera Features					
Day/Night	Auto switch by ICR				
Backlight Compensation	BLC / HLC / DWDR				
White Balance	Auto / Manual				
Gain Control	Auto / Manual				
Noise Reduction	2D NR				
Smart IR	Yes				
Lens					
Lens Type	Fixed				
Mount Type	M12				
Focal Length	2.8 mm				
Max. Aperture	F1.0				
Viewing Angle	D:131° H: 111° V: 57°				
Pan/Tilt/Rotation	Pan: 0° ~ 360°; Tilt: 0° ~ 90°; Rotation: 0° ~ 360°				
DORI Distance	Lens	Detect	Observe	Recognize	Identify
	2.8mm	66.0 m (216.5 ft)	26.4 m (86.6 ft)	13.2 m (43.3 ft)	6.6 m (21.7 ft)
Video					
Frame Rate	PAL: 5M at 25 fps; 4M at 25 fps; 1080P at 25 fps NTSC: 5M at 25 fps; 4M at 30 fps; 1080P at 30 fps PAL: 4M at 25 fps; NTSC: 4M at 30 fps PAL: 4M at 25 fps; NTSC: 4M at 30 fps PAL: 960H; NTSC: 960H				
Resolution	5M (2880 × 1620); 4M (2560 × 1440); 1080P (1920 × 1080); 960H (960 × 576/960 × 480)				

*Design and specifications are subjects to change without notice.



INSBO5IRCF

5MP HD over Coax Fixed Bullet

Product Specifications

Certifications	
Certifications	CE (EN55032: 2015, EN61000-3-2: 2014, EN610003-3: 2013, EN55024: 2010+A1: 2015, EN55035: 2017, EN50130-4: 2011+A1: 2014, EN62368-1: 2014+A11: 2017) FCC (CFR 47 FCC Part 15 subpartB, ANSI C63.4-2014) UL (UL62368-1+CAN/CSA C22.2 No.62368-1-14)
Interface	
Video Output	Single BNC port for video output options including CVI, TVI, AHD, CVBS
Audio Interface	Built-in Microphone
General	
Power Supply	DC 12V±30%
Power Consumption	Less than 5.7W
Working Environment	-40°C to +60°C (-40°F to +140°F); Less than 95% (non-condensation)
Protection	IP67
Material	Metal + Plastic
Installation	Ceiling / Wall / Pole mount
Dimensions	174.5 mm × 72.3 mm × 70.6 mm (6.87" × 2.85" × 2.78")
Unladen / Laden Weight	0.75 lbs (0.34 kg) / 1.12 lbs (0.51 kg)

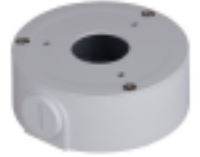
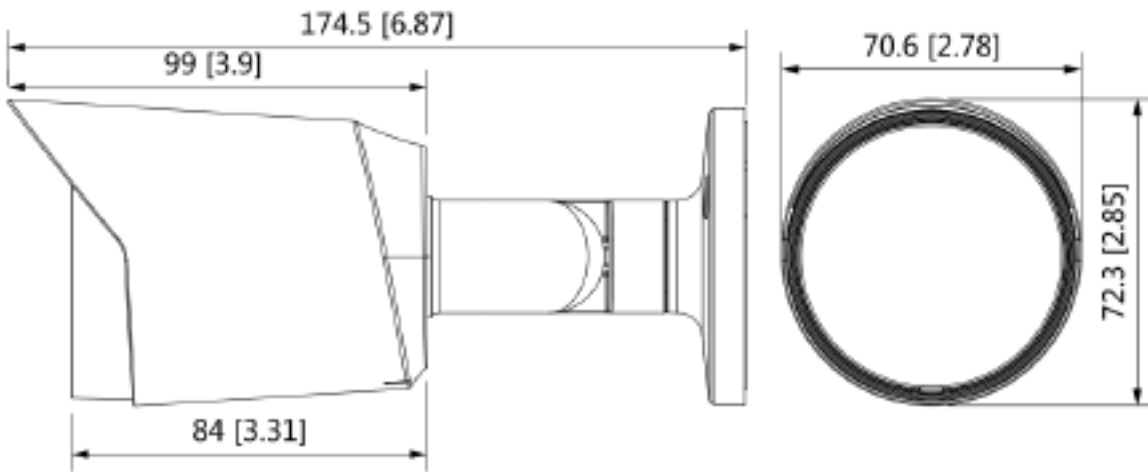
*Design and specifications are subjects to change without notice.



INSB05IRCF

5MP HD over Coax Fixed Bullet

Product Specifications



**INSX134
Junction Box**



**INSX130
Junction Box**



**INSX152
Pole Mount**



**INSXBALUN
Balun**

Ceiling Mount	Junction Mount	Pole Mount (Vertical)

*Design and specifications are subjects to change without notice.

